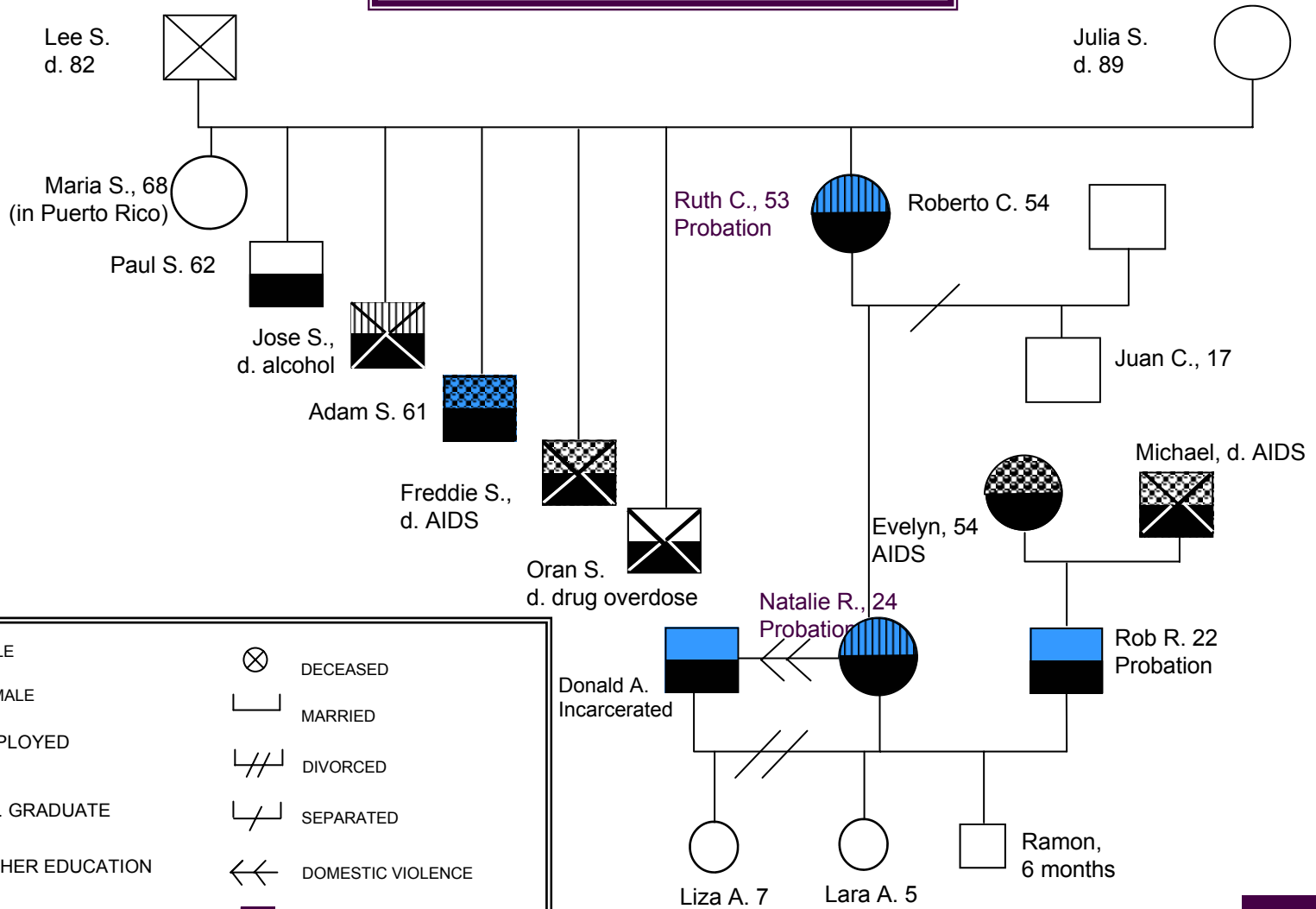


# Genogram of the "C" Family



	MALE		DECEASED
	FEMALE		MARRIED
	EMPLOYED		DIVORCED
	H.S. GRADUATE		SEPARATED
	HIGHER EDUCATION		DOMESTIC VIOLENCE
	IN RECOVERY		LA BODEGA PARTICIPANT